

Special Pressure booster

We also have the following special pressure translators in stock.

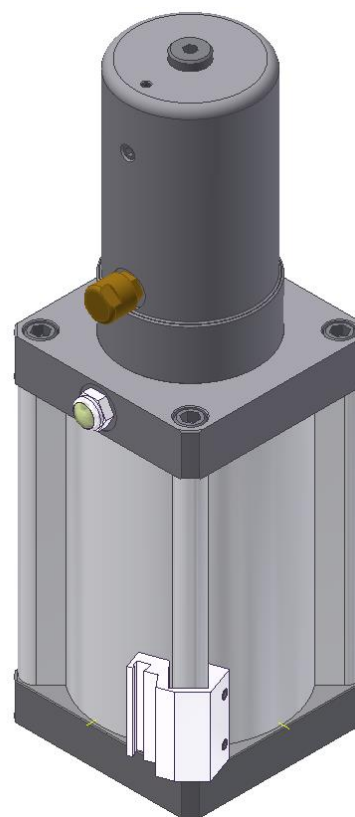
Our special pressure booster have **no additional oil reserve!** This means that the amount of oil in the work area must be chosen so large that it still has sufficient reserve for safe operation! (We are happy to advise you in this regard)

Push back with the working cylinder:

Likewise, the working cylinder used must have sufficient return stroke force to push the pressure booster also back to its basic position.

In this case, however, double-acting hydraulic cylinders can be used in which the return stroke is operated via a medium converter.

In any case, it is not permissible to use cylinders which are operated with oil on one side and air on the other without these cylinders having an oil / air separation in the piston.



	Air pressure max. (bar)	Transmission ratio	Oil quantity / stroke (ccm)
DU 125	10	1 : 6,25	350
DU 100	10	1 : 9,7	64
DU 125	10	1 : 15	84
DU 160	10	1 : 4	1000
DU 160	10	1 : 10	400
DU 160	10	1 : 12,5	286