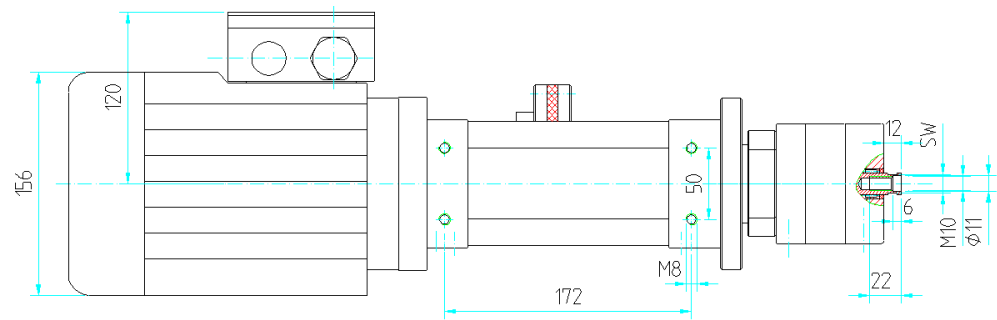


Olive Unit, pneumatic for wood window processing

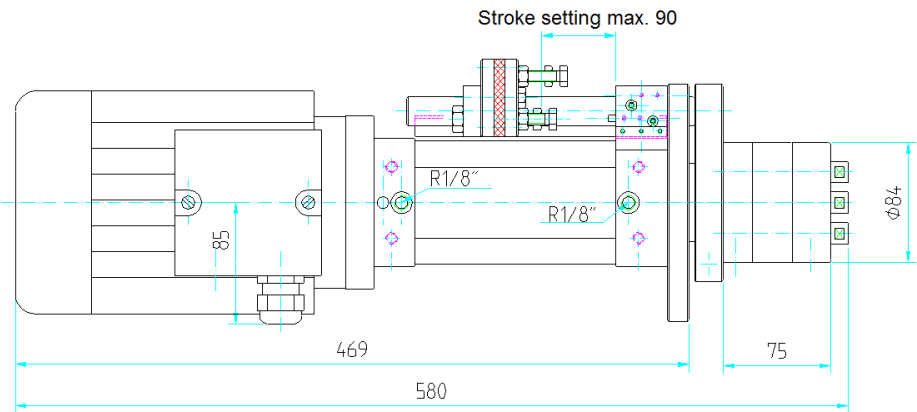
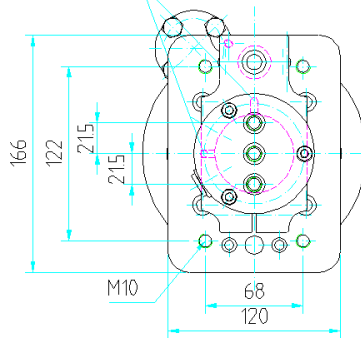
Our Olive unit has the following advantages:

- Compact design:
Cylinder and motor are fixedly connected together and constitute a unit.
- No overhung loads, since the piston rod of the cylinder serve as a guidance of the drill head.
- Easy to install and easy to use. The unit is equipped with two 3/2-ventils (for pre and feedback signal). As an option of accessories, at an additional cost, it has a 4-position turret stop and measuring scale and can be equipped with a non-contact signaling and electronic cylinder switches for end of travel.
- The unit is almost maintenance free. Piston rod and guide rod are hard-chrome plated, all aluminum parts are anodized and aluminum cylinder tubes hard-coded. Seals and bearings are maintenance free, but the unit must be operated without oiler with clean, dry air.
- The unit can be fitted at any time, at an additional cost, with an oil brake cylinder (but not normally required for woodworking).





Drilling head is rotateable by 90°



Technical Data:

Drive power:

1.1 KW; 2830 U/min

Spindle speed:

Spindle central 2830 U/min, Spindle external 3300 U/min

Feed:

pneumatic 90 mm stroke,
infinitely adjustable with an oil brake cylinder

Feed force:

at 6 bar 2260 N

Tool holder:

Standard: Spindle central thread M10 right,
Spindles external thread 2 x M10 left
Or: Spindle central thread M10 left,
Spindles external thread 2 x M10 right

Weight:

approx. 14.5 kg

Application:

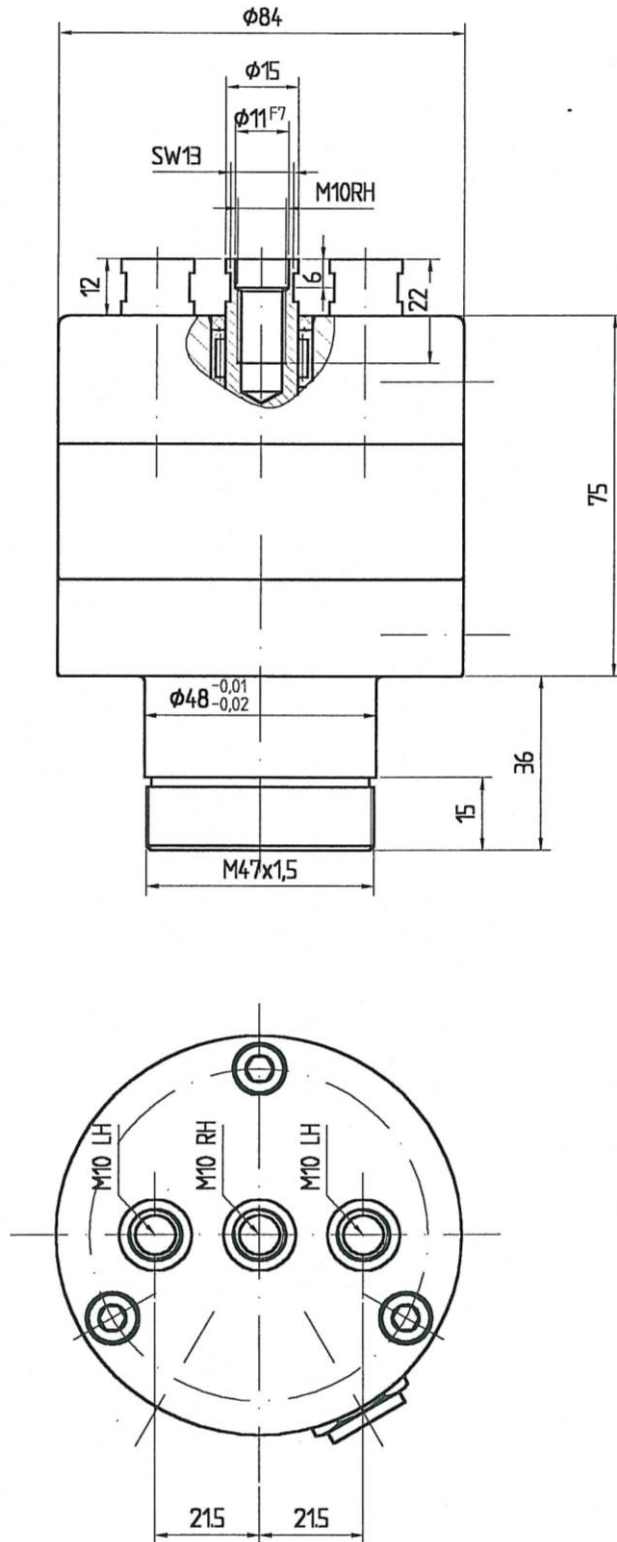
flange plate 4 x M10 (drilling pattern: 122 x 68 mm)
on the cylinder 4 x M8 (drilling pattern: 50 x 172 mm) see drawing

Air consumption:

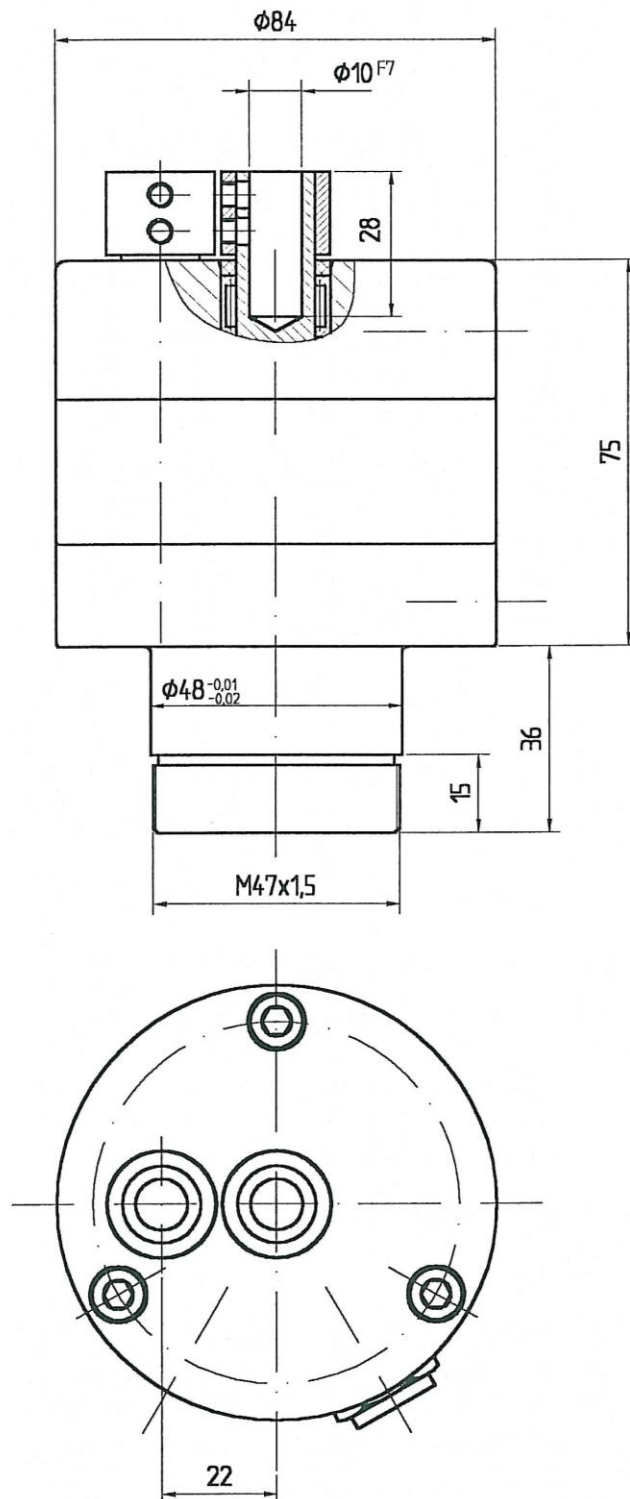
at 6 bar approx. 1.962 NL/ stroke

The olive units for wood- aluminum- and plastic window manufacturing can be equipped with the following drill heads:

Olive drill head for wood- aluminum- and Plastic window processing

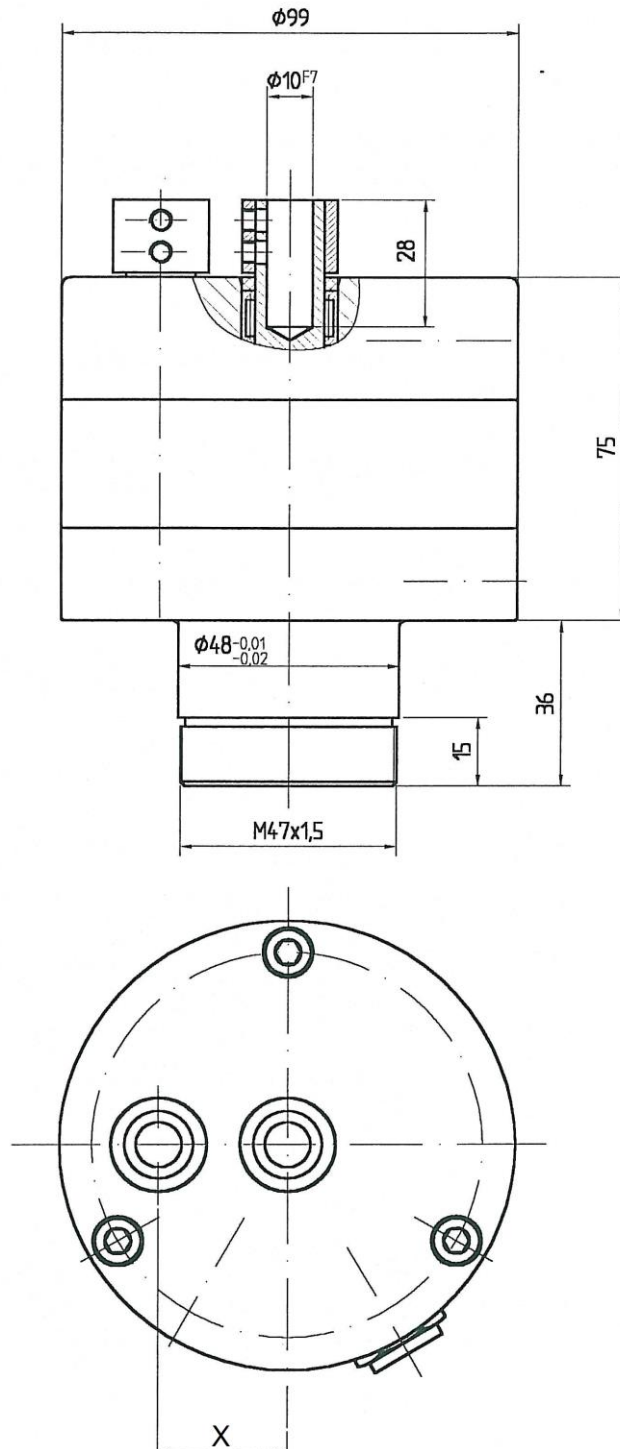


Corner bearing head for the wooden window manufacturing Siegenia fitting



Corner bearing head for the wooden window manufacturing

Winkhaus fitting X = 28 mm
Gretsch-Unitas fitting X = 25 mm



Corner bearing head for the wooden window manufacturing Roto fitting

