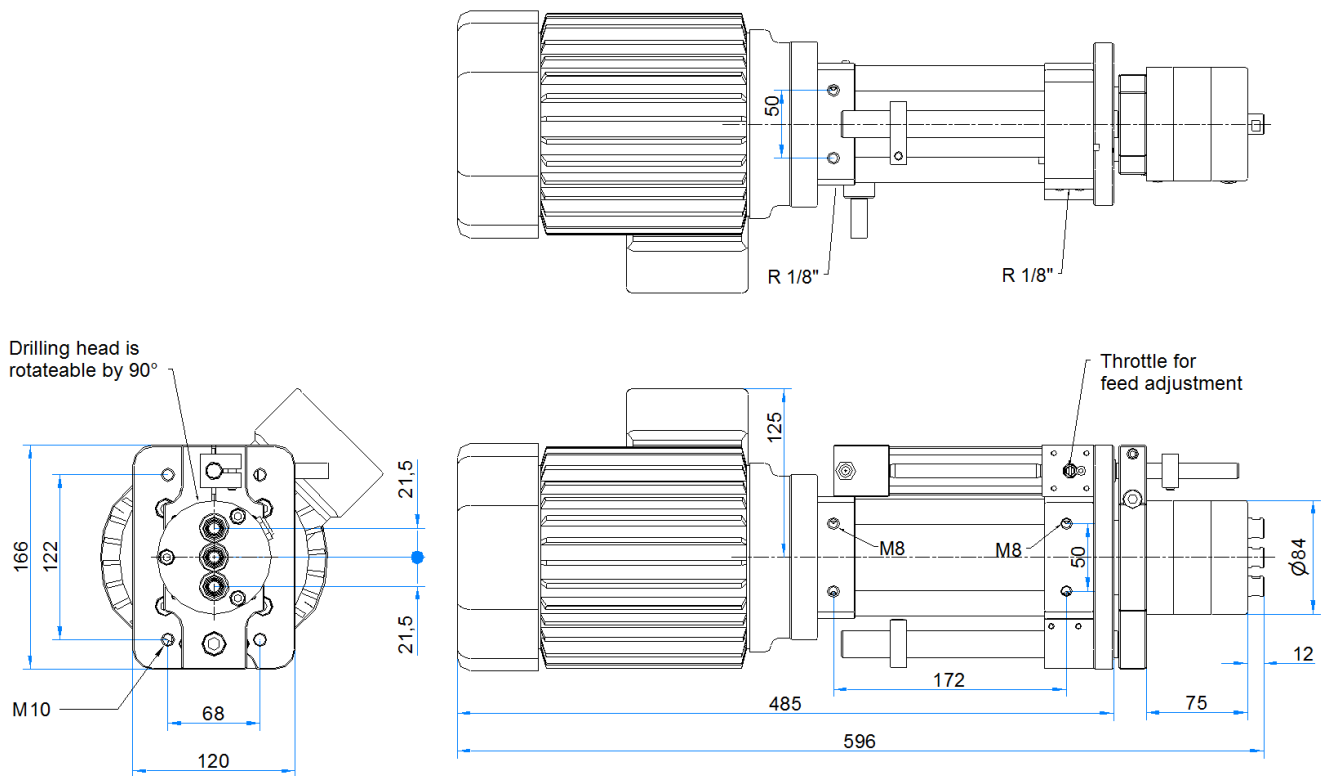


Olive unit, pneumatic for aluminum and plastic window processing

Our Olive unit has the following advantages:

- Compact design:
Cylinder and motor are fixedly connected together and constitute one unit.
- No overhung loads, since the piston rod of the cylinder serve as a guidance of the drill head.
- The unit is working hydro pneumatically. The feed can be infinitely variable adjusted by the planted oil brake cylinder.
- Easy to install and easy to use. The unit is equipped with two 3/2-ventils (for pre and feedback signal). As an option of accessories, at an additional cost, it has a 4-position turret stop and measuring scale and can be equipped with a non-contact signaling and electronic cylinder switches for end of travel.
- The unit is almost maintenance free. Piston rod and guide rod are hard-chrome plated, all aluminum parts are anodized and aluminum cylinder tubes hard-coded. Seals and bearings are maintenance free, but the unit must be operated without oiler with clean, dry air.





Technical Data:

Drive power:	1.1 KW 980 U/min
Spindle speed:	Spindle central 980 U/min, Spindle external 1090 U/min
Feed:	hydro pneumatic 80 mm stroke, infinitely adjustable with an oil brake cylinder
Feed force:	at 6 bar 2260 N
Tool holder:	Standard: Spindle central thread M10 right, Spindles external thread 2 x M10 left Or: Spindle central thread M10 left, Spindles external thread 2 x M10 right
Weight:	approx. 28.2 kg
Application:	flange plate 4 x M10 (drilling pattern: 122 x 68 mm) on the cylinder 4 x M8 (drilling pattern: 50 x 172 mm) see drawing
Air consumption:	at 6 bar approx. 1.962 NL/ stroke

The olive units for wood- aluminum- and plastic window manufacturing can be equipped with the following drill heads:

Olive drill head for wood- aluminum- and Plastic window processing

