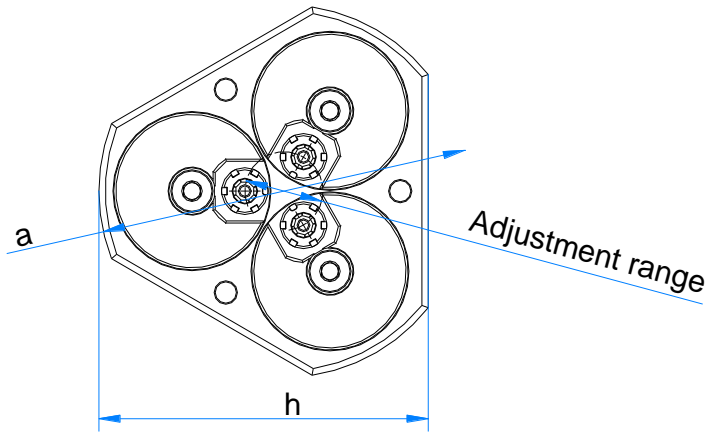
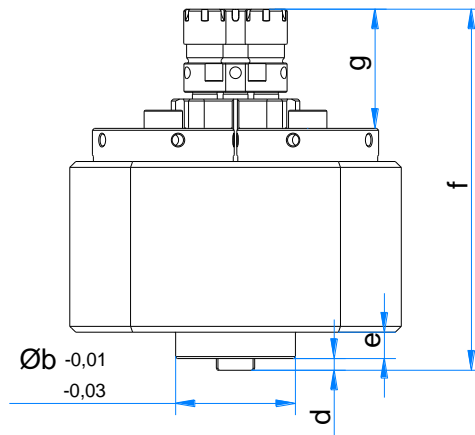
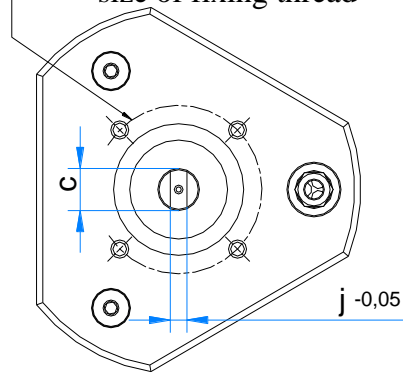


Adjustable three-spindle drill



Technical Data	V- MSK 7-03 Item no.: 08 03 00 1008	V- MSK 10-03 Item no.: 08 04 01 1002	V- MSK 13-03 Item no.: 08 05 01 1002
Drilling capacity in St 50	7 mm	10 mm	13 mm
Adjustment range	min. 32 mm, max. 144 mm	min. 37 mm, max. 137 mm	min. 47 mm, max. 159 mm
Transmission ratio	1:1	1:1	1:1
Tool clamping	Chuck ER 11 Clamping range 0.5-7 mm	Chuck ER16 clamping range 1-10 mm	Chuck ER20 Clamping range 1-13 mm
Transmission oil used	Mobil Teresstic T32	Mobil Teresstic T32	Mobil Teresstic T32
Weight	5.7 kg	5.9 kg	9.1 kg
Fixture	See drawing	See drawing	See drawing

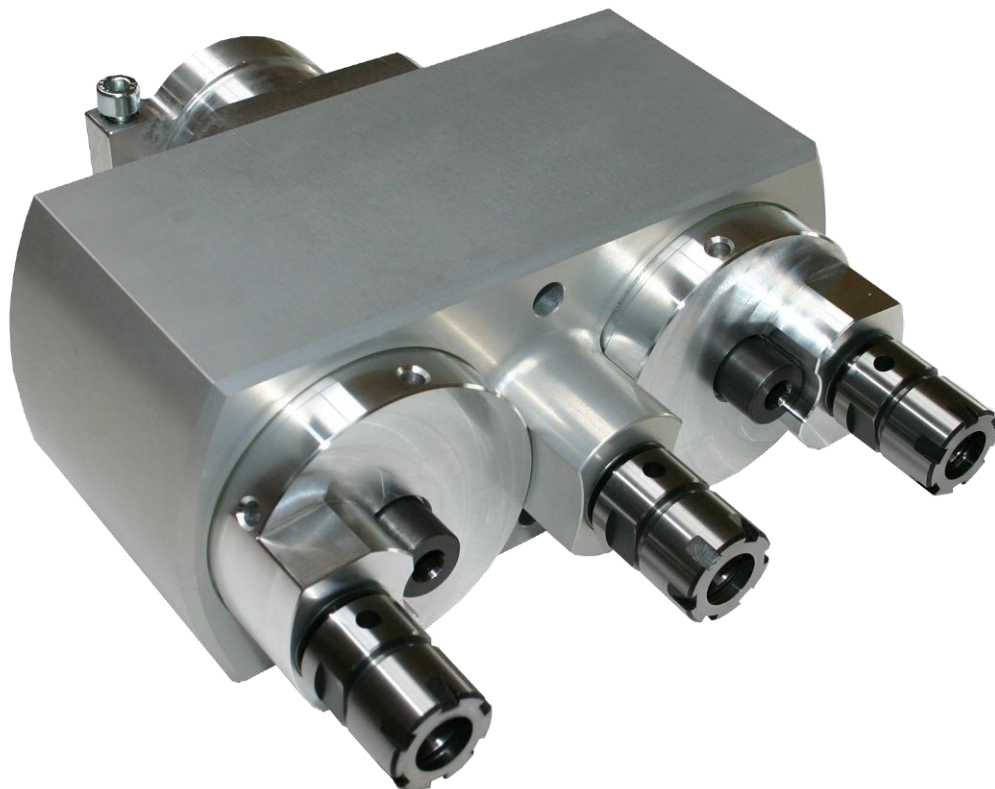
i= Ø Pitch circle & size of fixing thread



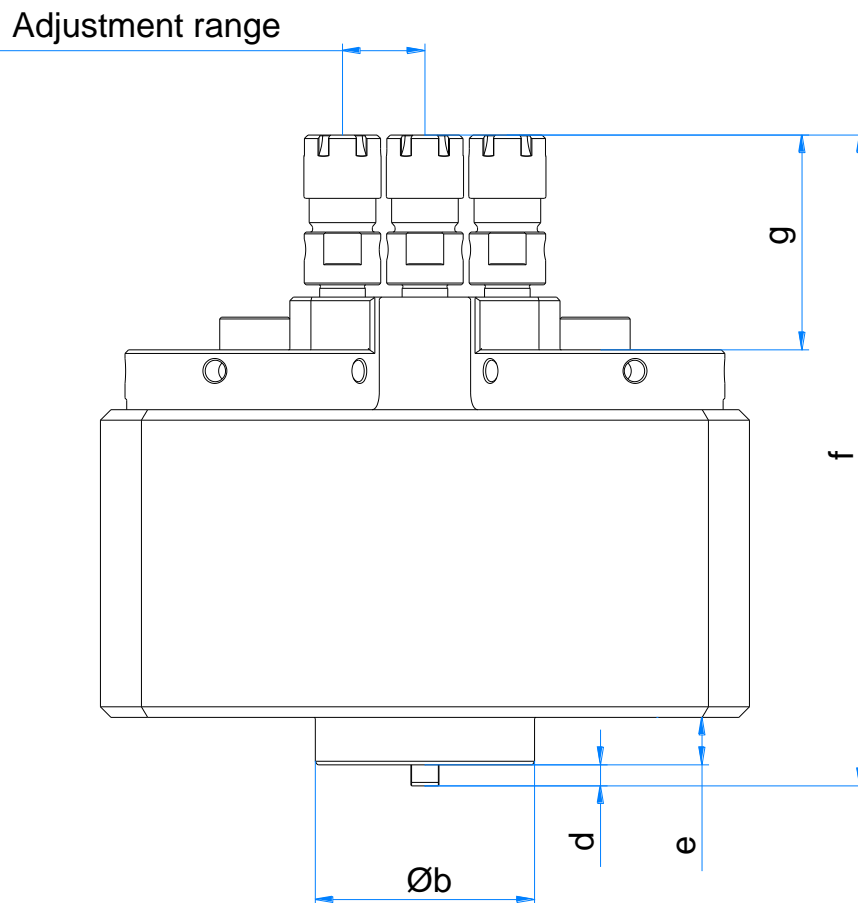
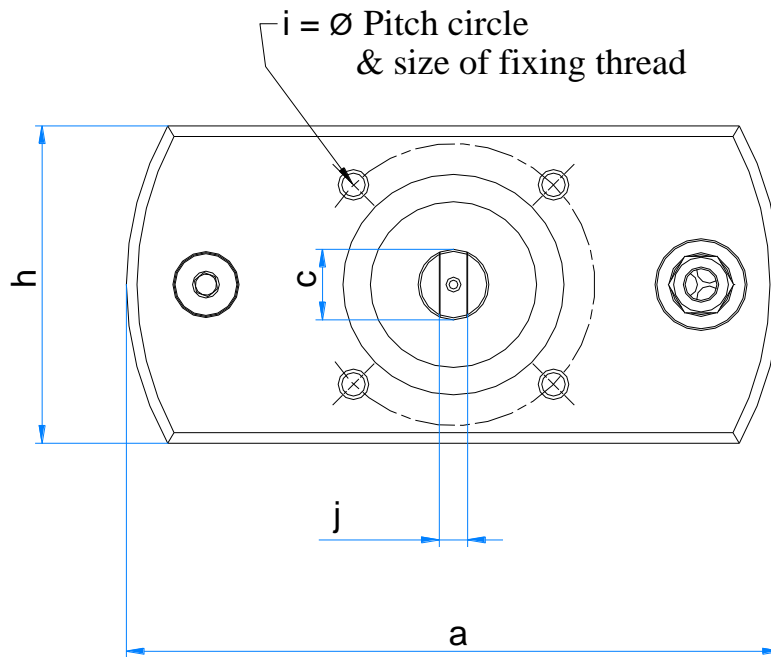
	a	b	c	d	e	f	g	h	i	4 x	j
V-MSK 7-03	156	54	20	5	11	140	40	156	70	M6 x 10	6
V-MSK 10-03	175	62,5	20	6	13,5	185	61	145	80	M8 x 15	8
V-MSK 13-03	205	62,5	20	6	13,5	202	68	181	80	M8 x 15	8

Figures in mm

Adjustable three-spindle drill



Technical Data	VL- MSK 7-03 Item no.: 08 03 00 1009	VL- MSK 10-03 Item no.: 08 04 01 1003	VL- MSK 13-03 Item no.: 08 05 01 1003
Drilling capacity in St 50	7 mm	10 mm	13 mm
Adjustment range	min. 20 mm, max. 72 mm	min. 23.5 mm, max. 73.5 mm	min. 31 mm, max. 87 mm
Transmission ratio	1:1	1:1	1:1
Tool clamping	Chuck ER 11 Clamping range 0.5-7mm	Chuck ER16 clamping range 1-10mm	Chuck ER20 Clamping range 1-13mm
Transmission oil used	Mobil Teresstic T32	Mobil Teresstic T32	Mobil Teresstic T32
Weight	4.5 kg	5.2 kg	7.6 kg
Fixture	See drawing	See drawing	See drawing



	a	b	c	d	e	f	g	h	i	4 x	j
VL-MSK 7-03	178	54	20	5	11	140	40	86	70	M6 x 10	6
VL-MSK 10-03	185	62,5	20	6	13,5	185	61	90	80	M8 x 15	8
VL-MSK 13-03	218	62,5	20	6	13,5	202	68	103	80	M8 x 15	8

Figures in mm